

CRITERIAN-IV

INFRASTRUCTURE AND LEARNING RESOURCES

Introduction:

Gujarat Vidyapith was established in 1920 represents Gandhian Philosophy and is a living heritage of Gandhian philosophy. Although located in the heart of Ahmedabad, the campus represents an ideal village of the Mahatma. Gandhi is often quoted – the earth has enough to satisfy everybody's needs but not any one's greed. The last decade has seen Gujarat Vidyapith trying to walk on the path prescribed by Gandhi what is now known as sustainable development (SD). The concept of SD includes the aspects of production and consumption and GV has kept in mind both of them. The same philosophy is implied in development of infrastructure of all campuses of Vidyapith at macro to micro level and for the 'unto the last' individual of the society.

4.1 Physical Facilities

Vidyapith has adequate area at its all campuses i.e. Ahmedabad, Sadra and Randheja. Ahmedabad campus has separate and independent 14 buildings including separate hostels for girls and boys, guest houses and hostel for foreign students. Out of 14 buildings, 3 buildings have green courtyard in the centre. The post graduate courses taught at Ahmedabad have separate building with adequate number of fully furnished and well equipped class rooms, seminar halls, computer labs, work shop , prayer halls, corridors and offices for the teachers. In addition; lift, ramp for differentially abled, water-coolers are available in each buildings.

Every campus has enough residential quarters for teachers and staff members.

Similarly, at Sadra and Randheja campuses where the graduation courses are taught also have all the facilities.

All campus have adequate and well equipped laboratory facilities for computer application. Science and language laboratory also provide necessary support to regular classes. Microbiology laboratory is well equipped with several high level GC, HPLC chromatography system, sample application device, UVIR, spectrophotometers, hydrogen gas generator, heavy duty centrifuge refrigerator etc. Randheja campus has well equipped laboratory for home science department. These facilities facilitate students for learning, teaching and research work. We also have state of the art laboratories which are well equipped at all three KVKs and also a super critical CO₂ extraction pilot plant for natural product, Bioreactors, biogas pilot plant with research facility.

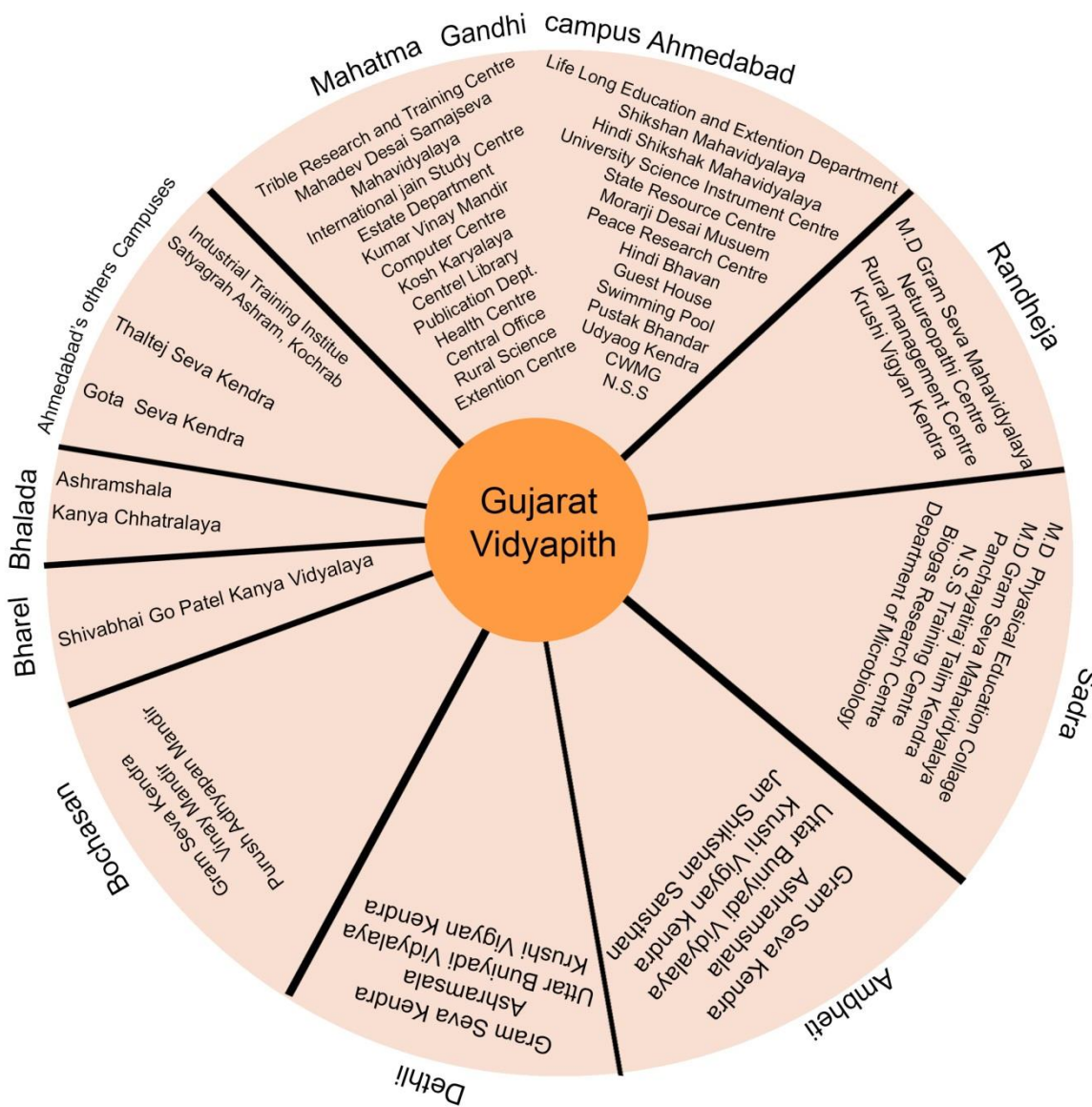


Diagram 4.1

Main campus has post graduate departments like linguistics, economics, library science, computer science, social science, social work, education etc. The facilities to learn vocal and instrumental music with recording studio also exist. Audio visual department has a state of art studio, while computer department has newly established well equipped language laboratory. All these facilities provide conducive environment for learning, teaching and research. That too adopting and developing Gandhian philosophy in individual's life and career.

4.1.1 A Physical Facilities in Details.

Sr. No.	Name of Department	Built-up Area in Square Meters
1	Department of Computer	2000
2	Central Office	2124
3	Audio Visual Department	500
4	Department of Journalism and Mass Communication	500
5	M.D. College	6300
6	Peace Research Centre	1120
7	USIC	700
8	Students' Counseling Cell and NSS	248
9	College of Education	6200
10	Udyog rooms -5	1400
11	Energy Park	1000
12	Gardens (Two)	14800
13	Sports Ground with Stadium and Track for Outdoor Games	25000
14	Gymnasium for Indoor Games	818
15	Swimming Pool	1593
16	Kumar Vinay Mandir (Primary School)	4952
17	Residential Quarters for Staff	8000
18	Hostels for students (a) Girls' Hostel for 350 student (b) Boys' Hostels for 550 student	9500 3500 6000
19	Guest House for 50 person	780
20	Canteen	270
21	Building for State Bank of India	1800
22	International Students' Block	642
23	Water Harvesting Structure (capacity of 25000 Liters each.)	Unit 05
24	Bore Well	Number 02
25	Library	6984

Ahmedabad Campus Table-4.1.5A

Sr.no	Name of the college	Building Type	Built up area (Sq. Mtr.)
1	M.D. Desai Samajseva Mahavidyalaya	Composite building load bearing R.C.C. frame Structure C+G+2	2192
2	College of Education	Composite building load bearing G+2	6200
3	1) Computer Department 2) Department of Journalism and Mass Communication (with Audio Visual Studio)	Composite building load bearing ,R.C.C. frame Structure C+G+2	3000
4	Department of Gandhian and Peace Research Studies.	C+G+2	1120

Sadra M.D. Campus

Sr.no	Name of the college	Building Type	Built up area (Sq.Mtr.)
1	M.D. Gramseva Mahavidyalaya	R.C.C. frame Structure G+3	2192
2	Physical Education Mahavidyalaya	G+1 load being Structure	1546

Sadra Microbiology Campus

Sr.no	Name of the college	Building Type	Built up area (Sq.Mtr.)
1	Department of Microbiology	Composite building load bearing R.C.C. frame Structure G+2	674
2	Microbiology Laboratory	R.C.C. frame Structure G+3	1376

Randheja Campus

Sr.no	Name of the college	Building Type	Built up area (Sq.Mtr.)
1	M.D. Gramseva Mahavidyalaya	R.C.C. frame Structure G+1	2158
2	Centre for Rural Management	R.C.C. frame Structure, load bearing G+1	1700

Auditorium:

Ahmedabad campus is facilitated with auditorium with 750 seating capacity. This hall has a unique construction technologies with earth cooling system. However, it should be remembered that this is NOT an alternative to air conditioning, it provides comfort level. This building is constructed with traditional lime mortar and bricks as load bearing structure. It is the first auditorium in Gujarat with natural earth cooling system. This hall is use for Seminars and as prayer hall.

In addition to that we have 7 halls that are used for dual purposes of seminar and community prayer in different educational buildings. These halls are adequately furnished, well equipped and well maintained.

The two rural campuses also have adequately equipped, well-furnished and well maintained seminar and prayer halls. Gujarat Vidyapith follows Indian Traditional Sitting Arrangement, the low sitting arrangement. This helps the staff and students to develop a strict discipline.

Hostels:

Community living is an integral part of Nai Talim, the education pedagogy that Gujarat Vidyapith has accepted and has been trying to propagate. Hence, hostel becomes an important component of student life. The accommodation facility at Gujarat Vidyapith has been modest and comfortable.

Location	Name of the hostel	Capacity of the hostel		Built-up Area in (Sq.Mtr.)
		Boys	Girls	
Ahmedabad Campus	Pranjiven Vidyarthi Bhavan	550	--	6000
	PG Hostel			
	Girls' Hostel	350	--	3500
Sadra Campus	P.E. Hostel	--	50	1000
	P.E. Hostel	250	--	5500
	Samajvidya Hostel	250	--	3500
	Microbiology Hostel	--	100	2071
	Microbiology Hostel	100	--	2000
Randheja Campus	Girls' Hostel	--	350	6600
	MRM and Samajvidya Hostel	120	--	2100

* **Amenities that the hostels provide are:**

- Accommodation with necessary furniture like bed, reading desk, cup-board, lighting and fan.
- Common room, Rooms for Computer, Recreation, Reading. Also rest and Guest room.
- 24X7 water supply
- 24X7 electricity supply
- Dining hall with kitchen / store.
- Solar Water Heaters
- Steam cooking system that saves the cooking time and reduces mess bills.
- PNG line for cooking in Ahmedabad campus.
- Adequate Sanitation amenities
- Some of the hostels are provided with rain water harvesting system, bio gas plant based on kitchen waste. Similar facilities are envisaged in the rest of hostels in near future.

- Separate washing area.
- Organic vegetables are grown in the court-yard of each hostel as part of *Udyog*.

Sports-grounds and other facilities:

Ahmedabad and two other campuses have running track of 400 mtr. There are different grounds for outdoor sports such as Volleyball, Basketball, Handball, Kabaddi, Kho-Kho, Badminton, and Netball. In addition, Vidyapith also has Gymnasium and Swimming pool. All these facilities are being utilised by students, staff and also by citizens.

Sadra campus has well known, well developed physical education college where B. PEd and M.PEd courses are offered. There are separate grounds for Cricket, Volleyball, Basketball and Football. A big Gymnasium hall of national standard prepares the students to compete at higher level. A big open stadium is also available at Sadra campus. A well facilitated indoor stadium for Tennis, Carom, and Weight lifting is also available. The impressive facilities of the physical education department including a large variety of sports and necessary equipment for students under the able guidance and supervision of highly qualified teachers acts as a positive incentive for the students.

Particular	Number
Multipurpose Play Ground	4 (Ahmedabad-1,Sadra-1+1, Randheja-1)
Courts for Indoor and Outdoor games	Tennis-1(Sadra-1)
	Volley Ball – 7 (Ahmedabad-2,Sadra-3+1, Randheja-1)
	Basket Ball – 2 (Sadra-2)
	Hand Ball - 2 (Sadra-2)
	Kabaddi – 4 (Sadra-2+1, Randheja-1)
	Kho-Kho – 2 (Sadra-2, Randheja-1)
	Badminton – 3 (Ahmedabad-1,Sadra-2)
	Net Ball – 1 (Sadra-1)
Tracks and Fields – 400 mtr	2 (Ahmedabad-1,Sadra-1)
Gymnasium	2 (Ahmedabad-1, Sadra-1)
Outdoor Stadium	2 (Ahmedabad-1,Sadra-1)

Health Centres:

Health is one of the three criteria for measuring Human Development. The United Nations Development Programme has also accepted the age old proven doctrine of Health is Wealth. Gandhiji has written and experimented extensively on health issues. His *Key to Health* has advocated the way to healthy way of life.

All campuses have health centres with Allopathy, Ayurveda and Naturopathy treatment available for students and staff. All campuses have residential medical officer. The Naturopathy canter at Randheja is also open to public. Naturopathy

hospital is well equipped with necessary instruments, treatment sections and qualified staff available for both genders separately.

Special Amenities for Specially Abled

Vidyapith has special facilities for active academic participation of especially abled students. Vidyapith has taken care for building a ramp in almost in all building and provided lift where ever necessary. All campuses have wheel chair facilities as and when required. Clear and levelled roads are also maintained.

All the above mentioned facilities at all campuses are being utilized optimally by Vidyapith family. In addition, Vidyapith has the capacity to develop more facilities to organise educational events such as convocation, book exhibitions, Yoga shibir etc.

4.2 Library as a Learning Resource

Gujarat Vidyapith Library is a central library with glorious history during independence struggle. It is located in main campus of Gujarat Vidyapith. It has collection of more than 6 lakhs books, volume sets, rare books and reference. Two more Libraries at Sadra and Randheja, Gandhinagar have separate buildings. In 12th Plan, construction of two more levels at Randheja is underway.

The Central Library satisfies needs of students and academic staff of Vidyapith. Since its inception it has also served citizens of Ahmedabad and Gandhinagar, making it academic as well public library. It is governed by the Library Committee, comprising of Vice Chancellor, Registrar, Principal, Co-ordinator, Subject Experts, and Library Professionals from other organizations besides Librarian. A separate huge section *Gandhi Bhavan* has literature by and on Gandhiji. Library has been acquiring literatures published on Mahatma Gandhi's life and thought since its inception. This has now been developed in to an independent Gandhian books. The collection contains materials written by Gandhiji, books and journals on Gandhiji's life, source materials on Gandhian thought, compiled works on Gandhian thought, translated literature and literature on Ghanaian constructive programmes. Another important feature of this hall is its photo exhibition.

The Central Library building structure is composite type (R.C.C. Frame and load building type). The height of more than five meters of each floor helps to maintain a cool interior and allow significant amount of natural light. Reading area has seating capacity for more than 350 individuals. The library is spread among three floors. Total area of library is 6670 sq. mtrs. Solar panel is installed on the top of library and that lightens a part of library. Library is managed by well qualified and technically trained staff.

Library Timing:

Library remains open for students, academicians and local community.

Monday to Friday	7.00 am to 7.00 pm
Saturday	7.00 am to 5.00 pm
Sunday and Holidays	11.00 am to 6.00 pm

During exam, library reading area is open from 7.00 A.M. to 11.00 P.M.

Library Collection:

No. of Books	6,10,000
Ph.D. Thesis	330
M. Phil Dissertation	1037
Master level Projects	1227

Library subscribes about 340 journals in all for all the campuses. About 40 are International and 150 English journals.

Non Book Materials: Manuscripts (691), Micro Films (185), Micro Fische (25), Film (39), Video Cassettes (269), Slides (1911), Lingua Phone Records (32), Photographs (162), Taped cassettes (181), and CD and DVD (1200).

Library also supports 13 departmental libraries.

Acquisition of Documents:

Library procures books, journals and other reading material from registered local and foreign vendors as and when required. GoC guidelines for selecting vendors and conversion rate are followed. Faculty members and sometimes students, too recommend books, journals and other materials. Library also gets suggestions from general members of the library. After procurement and processing, information of new arrivals is dispersed to the faculty through e-mail. Library also maintains the collections of newsletters, annual reports and house journals from many governmental and nongovernmental organizations.

Reference Collections:-

The collection consists of Dictionaries, Directories, Encyclopedias, Year book, Almanac, Bibliographical sources, Hand books, Manuals and Geographical sources. Total collections in reference section are more than 25000 volumes. Library preserves back volumes of the important journals in hard copy and the holding list is available to users through OPAC. Reference section of the library is also providing access to soft PDF copy to *Kumar* and Forbes Quarterly Journal which contains very important literature.

The Ph.D. and M.Phil theses and books on competitive career orientation such as G-net, UGC net, Staff Selection, GPSC and UPSC exams are also provided to the users. The Library preserves Times of India, Indian Express, Hindustan Times and Hindu in English as well as Sandesh and Gujarat Samachar in vernacular language.

Copy Right Section

Library also maintains copyright section consisting of 1.18 lakh books. Annually about 3000 books are being added under copyright laws. About 45000 books of this section are digitalized with help of C-DAC.

CD Collection:

Initially collection was CDs that came with book or periodicals. Later the library started purchasing the CDs. Currently the complete list of 1200 CDs is available on demand.

Virtual Aids:

Gujarat Vidyapith joined with INFLIBNET in third phase by sharing books catalogue and started uploading Gujarat Vidyapith theses in *Shodhganga*. 36 theses have been uploaded.

UGC INFONET gives access to All Journals through INFLIBNET e-resources, Emerald, ISID, JCCC and Springer link.

Online Journals of 16 subject areas are subscribed.

Library Automation and Computer Lab Facilities:

As mentioned earlier complete database of all library documents are available in library software SOUL. The retrieval of books information is available through OPAC. Library is receiving the services of UGC INFONET electronic journal consortia. ERNET India is providing a lease line internet connectivity and electronic journals are available through UGC INFONET programme. All the departments are accessing electronic journals online through campus network.

Library has also facilities of computer lab, comprising of 20 computers for users, 20 computers for library staff and 13 computers in lab. Library has 4 scanners and 8 printers and a photocopier with enlargement and reduction facilities.

Budget:

Library utilizes Rs. 80 Lakhs every year for books, journals and equipment, which is almost 10.51 per cent of the total budget of Gujarat Vidyapith.

Library users:

Besides the students and staff, library caters its services to the general public. People from all walks of life use library services. On an average library is serving to about 5000 to 6000 users every year.

4.3 I.T. Infrastructure

Gujarat Vidyapith had envisioned the future of Information and Communication technology as early as 1987 with establishment of Computer Department to undertake computerization of the Library. Since then, it has been providing central computing services and facility to the whole Gujarat Vidyapith. It facilitates in establishing campus networking enable for ICT based teaching, learning and research along with maintaining website, mail server, firewall, Internet Gateway, development of software as per requirements. This helps in smooth functioning of automation activities. It also handles software and network related issues. The focus of the Computer Department is a continuous upgradation of technology for developing applications to improve rural livelihood skills. Periodical upgradation and maintenance in hardware as well as software is also taken care by Department.

Ministry of HRD, Government of India has selected Gujarat Vidyapith as a node to be connected to National Knowledge Commission (NKN) with high network bandwidth. The Department of Computer Science has established 10 GB campus wide Network with fibre backbone which provides high speed connectivity to various departments at all three campuses. Almost all the Departments are connected through optical fibre and inter-campus connectivity is achieved through Radio Link. Residential area has been provided with Wi-Fi. (Figure 1, 2)

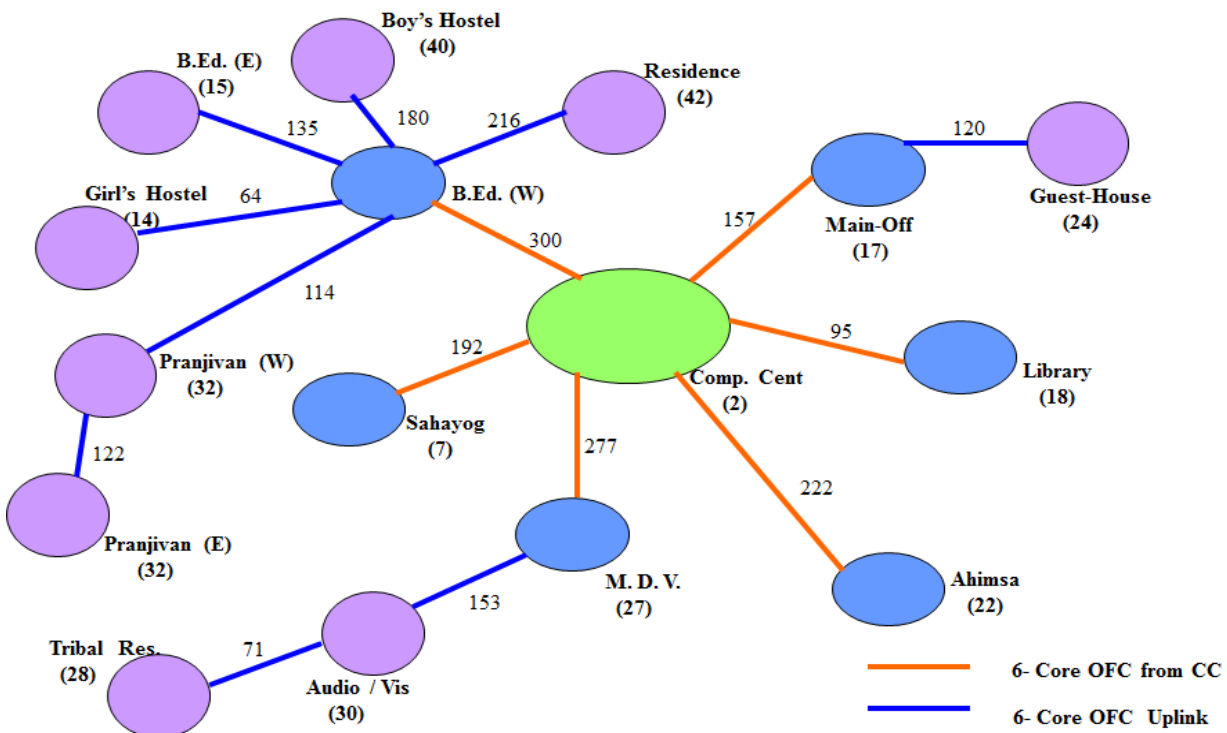


Figure -1 Optical Fibre Backbone –Gujarat Vidyapith –Ahmedabad

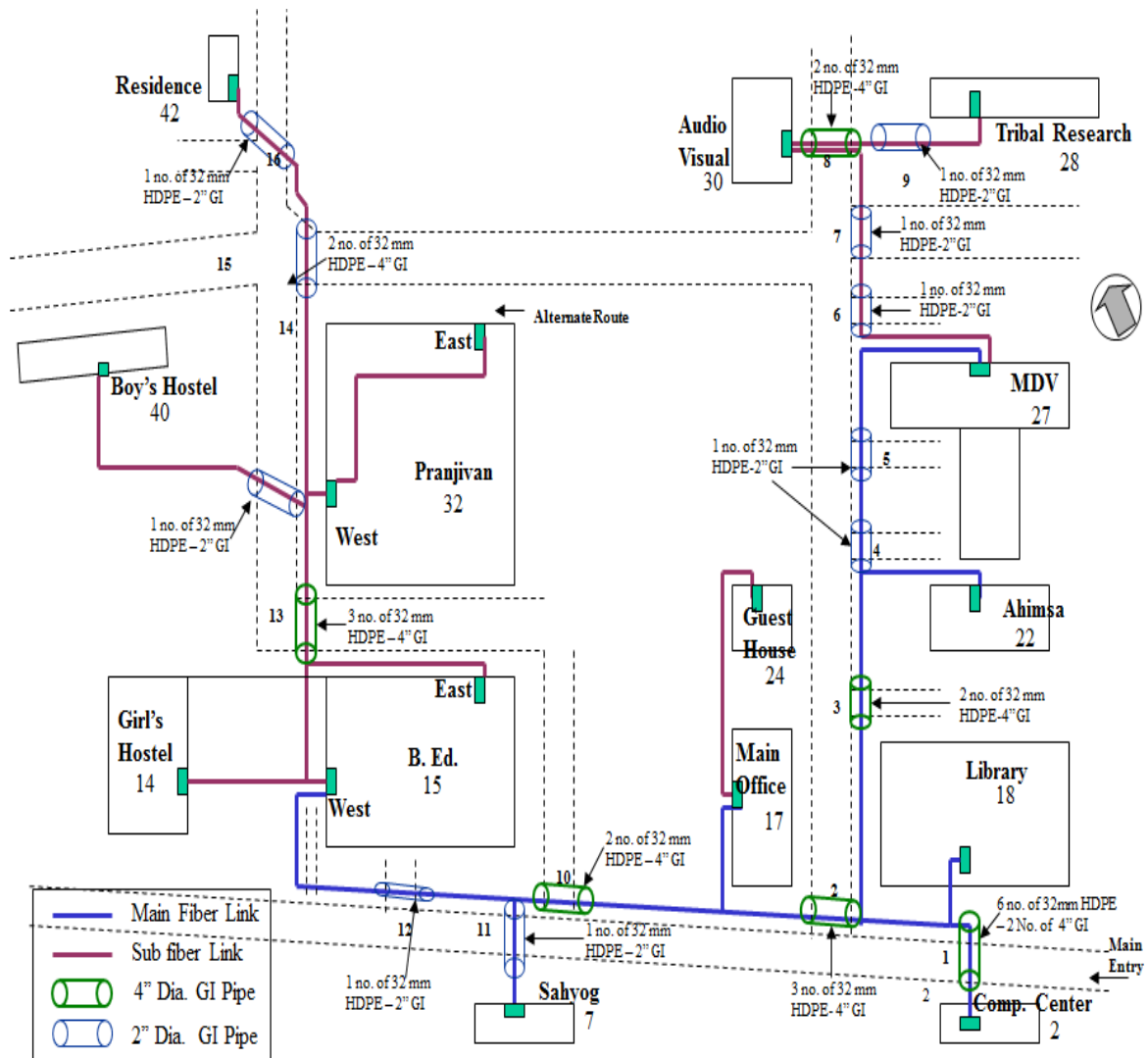


Figure -2 Route plan for Campus-wide Optical Fibre-Gujarat Vidyapith -Ahmedabad

Approx. 900 nodes/internet connection points in various departments and Vidyapith Library have been implemented. These leads to optimal use of Information Technology and Internet access for all the faculty members, administrative staff and students. Vidyapith Library is connected to UGC- INFONET network. All departments on the campus avail the facility of online journals provided through UGC INFONET. Vidyapith has access to National Knowledge Network (NKN) of Govt. of India project through which students and staffs are interconnected through Internet with up to 155 mbps (provision 1Gbps since 2010) connectivity. All departments, Hostels and residence area are connected to network with wire and Wi-Fi facility.

Inter-campus (Sadra and Randheja campus) networking is achieved through 8 mbps wireless radio link connectivity in 2010 (Figure -3). Internal networking of each building use Cat-6 UTP base LAN. Even residence complexes are connected using wireless connectivity (Wi-Fi) and provided with Internet facility. Wireless connectivity (Wi-Fi) has been provided to selected departments.

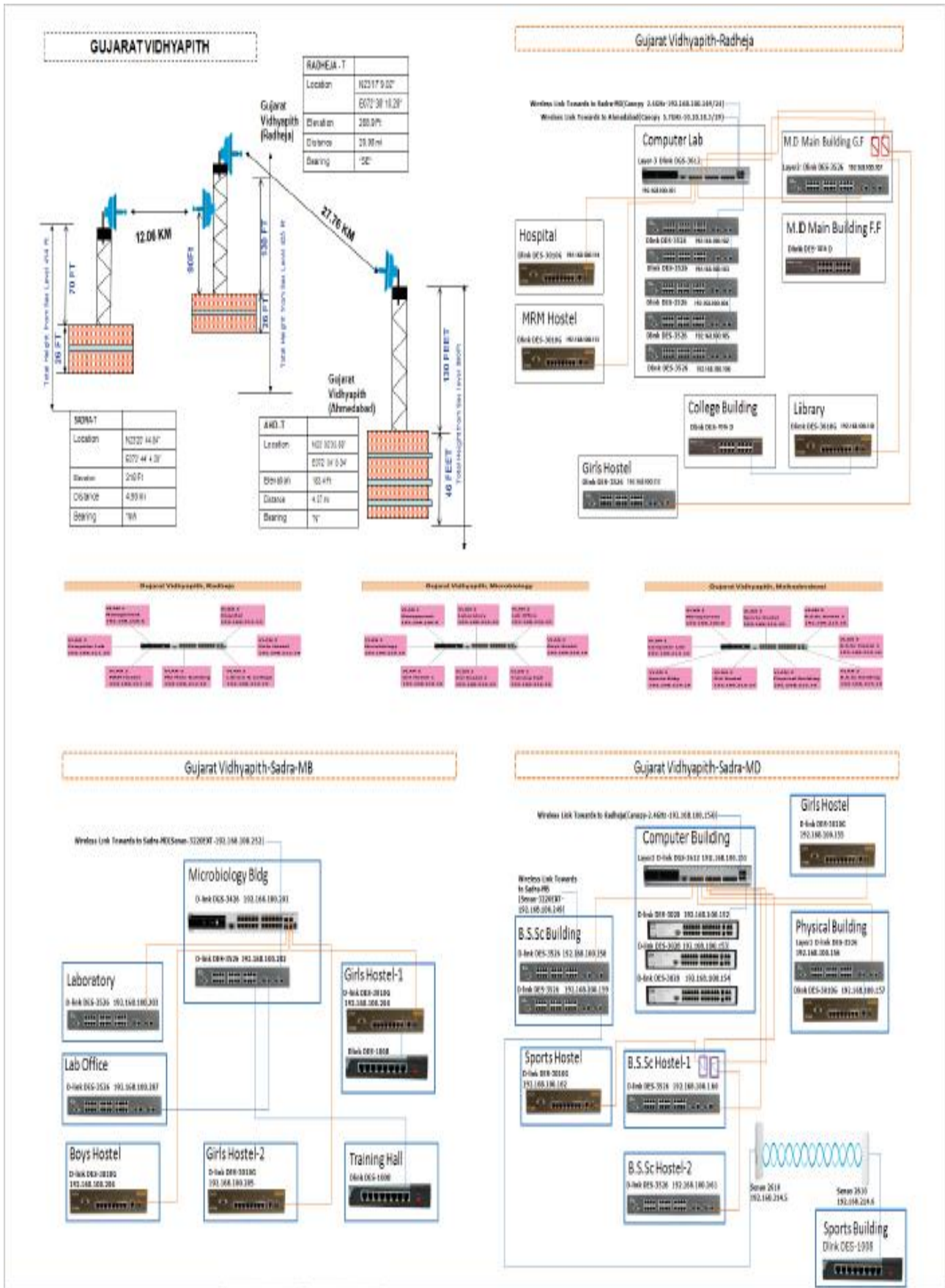


Figure -3 Radio Link Diagram between Ahmedabad –Randheja –Sadra Campus

All the academic departments and colleges have computer laboratory with internet connectivity available to students for 24 x 7. Table-1 shows number of computers at various departments & Lab across the campus.

Sr. No	Particular	Total –No. of Computers
A.	Laboratory	
1	Audio-Visual Department	8
2	Kumar Vinay Mandir School	25
3	Shikshan Mahavidyalaya	51
4	M.D. Mahavidyalaya	57
5	Central Library	38
6	USIC	40
7	Hostel	24
9	Microbiology Department Sadra	63
10	M.D.G.S.M., Sadra	77
11	Randheja Campus	90
	Total Computers in Laboratory	570
B.	Total Computers for Admin & Academic Staff	330
Total Number of Computers Across the campus		900

In addition, there is a special section in the library with 8 systems open for library members and students through which they can have access to journals and online books. The IT infrastructure at Gujarat Vidyapith is listed in annexure-1. The IT infrastructure at computer Department and Department of Computer Science is listed in annexure-2. IT infrastructure at Gujarat Vidyapith Sadra Campus are listed in annexure-3 and Randheja Campus are listed annexure-4.

All the faculties serving at various departments are computer literate and they are competent enough to use computer aided teaching/learning materials. Many of the departments are equipped with LCD projectors and computers in classrooms to promote ICT based teaching learning process.

Department of computer science along with its students facilitate various project developments that fulfil computerization needs of various departments. In-house training for target groups is also arranged for different software.

Gujarat Vidyapith is self-reliant when it comes to maintenance and service of ICT infrastructure. University Science and Instrumentation Department (USIC) is looking after hardware maintenance works. While Internet, Software and Computer Network related issues are handle by Computer Department (As a part of Udyog). So any type of ICT related services are available 24 x 7 x 365 days on the campus.

Services:

The Department of Computer Science has hosted website & various intranet and internet based software application for Vidyapith, Teachers, Students and Citizens. In addition department have hosted Servers (File server, E-mail Server, Web Server, FTP server, cloud base services etc.) and Unified Threat Management (UTM) System

(User Management, Bandwidth Management, Antivirus, Anti-Spam, IPS and Firewall).

The Department of Computer Science provides network based facility for computing including software support like Result Processing and mark sheet Generation, Statistical Package for the Social Sciences (SPSS), Computer based financial accounting system (Tally), Antivirus etc.

Department of Computer Science has hosted and maintain network and network based software for following Services:

Open Source Learning Management System Model (LMS):

Moodle is an open source learning platform, designed to provide personalized learning environment to learners, educators and administrators with a single robust, secure and integrated system. A Moodle service is available across the campus (Intranet based). Computer Science department conducting online weekly exam and Quiz kind of a program on this platform since 2013.

Web Site:

Gujarat Vidyapith web site is designed and being maintained by Department of Computer Science since 2000. All administrative tasks like to host data sheets, results, examination forms, etc. on the Vidyapith website are performed by department for the convenience of students/public.

Email System:

Department of Computer Science has configured and maintained open source email server for Gujarat Vidyapith from 2006 to 2014. Currently, E-mail service is provided through Gmail and performs all administrative tasks for this service.

Online ICT Support System:

In order to provide better service to all the employees and students of Gujarat Vidyapith, Department of Computer Science has deployed Infrastructure support ticket system (intranet based) since 2013. Every support request is assigned a unique ticket number through which user can use to track the progress and responses online. For user reference, a complete archives and history of all their support requests is being maintained. A valid email address is required to submit a ticket.

Unified Threat Management (UTM) System:

UTM is network security appliances include multiple features like Firewall – VPN (SSL VPN and IPSec), Gateway Anti-Virus, Anti-Spyware and Anti-Spam, Intrusion Prevention System (IPS), Content and Application Filtering, Web Application Firewall, Application Visibility and Control, Bandwidth Management, Multiple Link Management for Load Balancing and Gateway Failover, over a single platform. It offers complete visibility on which applications are being accessed within the organization and by which user, irrespective of their ports and protocols. This stops sophisticated application-layer threats right at the network parameter, ensuring Application Security. Granular controls over applications ensure QoS of critical applications. UTM's reporting gives details on every type of attack, vector, attacker

details, and victim details and also graphically represents the general security trends in organization. UTM solutions aid the compliance regulatory needs of organizations.

File Hosting and Sharing Service:

File Hosting and Sharing System is a suite of client-server software for creating file hosting services. This service is functionally very similar to the widely used Dropbox. Files and other data (such as calendars, contacts or bookmarks) can also be accessed (any user of the system) using a web browser without any additional software. Any updates to files are pushed between all computers or mobile devices connected to a user's account.

Antivirus and Antispam System:

Department of computer science is managing centralized antivirus and antispam solution which offers security features, good centralized management and full featured anti-virus solution. We can easily install, upgrade, and manage antivirus software and distribute antivirus updates and definition.

Network Management:

Department of computer science provides maintenance and issues resolving services for the network and network devices, antivirus/anti-spam, Operating System and other software.

Digital Language Lab:

DCS have separate digital language laboratory of 30 desktops and 1 server machine which running ODLL Pro. (Digital Language Software). ODLLPro is Digital Language software for students graduating from professional colleges. Loaded with an array of study materials that help professional communication skill development, ODLLPro is perfect for preparing graduating face interviews, make presentations, prepare impressive curriculum vitae, face interviews with confidence, debate eloquently etc. Topics for group discussion not only help students overcome inhibitions/stage fright and gain confidence but also prepare them to speak effortlessly at public functions with the right tone of voice/modulated rate of speech while exhibiting positive body language.

Digital Repository (Research publication):

Department of Computer Science have customized, deployed and manage D-Space. DSpace is open source digital repositories. D-Space preserves and enables easy and open access to all types of digital content including text, images, moving images, mpegs and data sets.

Online Registration (M.Phil and Ph.D) System:

Department of Computer Science has designed, developed, hosted and maintain online M.Phil and Ph.D registration system.

Video Conferencing Services:

Gujarat Vidyapith equipped with video conferencing devices. We are using this facility for academic and administrative purpose as and when required.

Online Medical Reimbursement System:

As a part of project students of MCA has developed Online Medical Reimbursement System under the guidance of faculty and administrative staff. Using this system any registered employee can track his/her medical bill submitted for reimbursement. This system is under implementation stage. We are going to launch this intranet based system in near future.

Web Based Library Catalogue searching System:

As a part of project students of MCA has developed Web Based Library Catalogue Searching System under the guidance of faculty and library staff. It is an internet based system to search the library catalogue as per their requirement.

Best practices- Open Source Initiative:

As a part of open source initiative (General Public License) we are using and promoting open source software. We use open source software not only for maintaining our IT infrastructure but also in the academic curriculum and back office work.

As a part of best practices

1. To educate and train employees and students (stakeholders) on open source use, risks, and policy.
2. Necessary verifications of various parameters are done before downloading and implementing open source software. (Prefers stable, long support and n-1 version etc.)
3. Software updating as a regular practice.

4.4 Maintenance of Campus Facilities

Engineering office:

Engineering office at main campus at Ahmedabad is taking care of maintenance of all campuses and all buildings with help of maintenance staff which includes plumber, pump-person, electrician, carpenter etc. Engineering office maintains complain register. Civil complaints are also addressed by this office.

(a) Maintenances of building and campuses:

All equipment, water-coolers, AC machines etc. are maintained by individual department on call basis or by annual maintenance contract.

- Major repairs and maintenance works are managed by engineering office by awarding contract to outsider contractors, while minor works are attended by engineering office directly.
- Housekeeping of each building and individual department is being done by each department itself.
- Security staff and non-skilled staffs hired through out-sourcing with limited

contractual obligations. This staff also take care for maintenance of guest house, gardens and all seminar and prayer halls.

- For housekeeping and security staff, an annual a budget of Rs.1.00 crore is allocated and Rs. 70 lakhs budget allocated for the maintenance of all buildings for all campuses.
- All the buildings are made barrier-free and ramp, railing etc are made available for especially abled people.
- Lift has been provided where necessary.
- Special initiatives being taken to improve the ambiance in all campuses.

(b) Power Supply:

- Power supply is available from Torrent Power Limited at Ahmedabad campus and from Gujarat Electricity Board at Sadra and Randheja campus.
- Vidyapith ideally utilizing maximum solar power for street light and some parts of library and USIC department.
- As far as possible energy efficient lighting fixtures are utilized.

(c) Firefighting systems:

Fire extinguishers are provided in all buildings at right places.

- Electrical power supply, auditorium, seminar halls, computer labs, and studios are well equipped with suitable fire extinguishers.
- Emergency exits are available in all buildings and sign boards are given for indications of existing buildings, department facilities.

(d) Telecom facilities:

- Telecom facility is available in all staff rooms and laboratories for communications in the campus.
- Each department has direct dialing facilities.

(e) Water management:

- Rain water harvesting is available for Ahmedabad campus by constructing 11 *Khambhati* well, 2 bore well and 1 empty well which collect the rain water for shallow aquifer up to 30ft depth, 100 and 450 ft. Simultaneously 5 matka type underground water tanks are made available in girl's hostel for storage of drinking water.

- Waste water from campus is treated and distributed through pipe network for plantation, garden and sports ground.

(f) Waste Management:

- Compost fertilizer is made from waste collected from residential areas and whole campus is used for plantation and gardens.
- 3 biogas plants are constructed with 4 cubic meter capacity for canteen and hostels. Produced bio gas is used for cooking in hostels.
- Steam cooking facility is installed which save energy and time for cooking.
